

Please read this manual carefully before installing, commissioning or operating the BDP2



1. INTENDED USE

The automatic oil return system BDP2 is solely intended to return refrigerant oil in a refrigeration or heat pump system.

2. SAFETY REQUIREMENTS

Any work with refrigeration systems must be carried out by trained and knowledgeable personnel. All safety regulations / EC-Material Safety Data Sheets and codes of practice concerning the use of refrigerants must be adhered to.

Under no circumstances are the indicated temperature- and pressure-limitations on the data plate to be exceeded!

Applicable standards and regulations for installing or operating refrigeration plants, e.g., EN 378 must be adhered to.



Before work is carried out and screws are loosened, it is important pressure has been entirely released from the BDP2 housing.



When opening the BDP2 a sudden evaporating of trapped refrigerant may occur. Therefore, special attention must be paid to wearing protection clothing and safety glasses.

ATEX

The BDP2 **without optional level sensor** has no ignition sources and therefore it does not meet the definition of devices according to the ATEX Directive 94/9 / EC. The basis for this is an risk assessment of ignition sources according EN 13463-1, chapter 5.2. Even during possible occurring malfunctions there are no own potential ignition sources present.

3. TERMS OF WARRANTY

To prevent accidents and for the safe operation of the refrigerant plant no modifications or alterations may be carried out to the BDP2 without written approval by TH. WITT Kältemaschinenfabrik GmbH.

All information for the safe operation and maintenance of the BDP2 is based on our experience and is to the best of our knowledge.

Our liability or warranty is excluded, if:

- The instructions in this manual are not adhered to
- The BDP2 and its equipment were operated incorrectly or the handling was not in accordance with the mentioned procedures
- The BDP2 is used for purposes other than that for which it was intended to
- Safety devices were not used or disconnected
- There have been modifications made without written approval
- The safety requirements were not adhered to during installation or operation

4. SCOPE OF DELIVERY / AVAILABLE SIZES

There are three sizes of BDP2 available:

- BDP2-03 with 0,6 litre content and 0,3 litre transfer volume
- BDP2-14 with 1,7 litre content and 1,4 litre transfer volume
- BDP2-38 with 4,1 litre content and 3,8 litre transfer volume

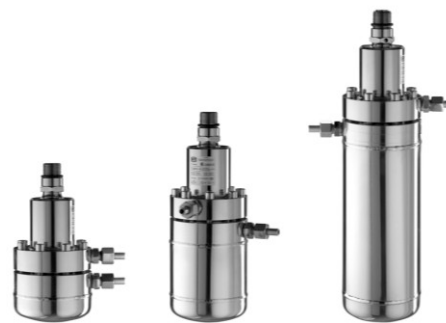
A residue of 0,3 Litre oil charge will remain to avoid contamination.

Standard scope of delivery includes

- Threaded connection G1" for refrigerant/oil supply
- Weld connection for hot gas
- Weld connection for refrigerant/oil discharge with integrated check valve for a differential pressure of 3 bar

Optional scope of supply (accessories):

- Stop valve EA32/G1"-I resp. II (steel) or EA40/G1" I resp. II (stainless steel) including threaded connection
- Threaded connection G1" (steel) or G1"-VA (stainless steel)
- Check valve for a differential pressure of 1 bar (as replacement of the standard check valve 3 bar)
- Adapter with gas equalization line (stainless steel)
- WITT regulating valve EE3 or EE6
- WITT flow heat exchanger DWR
- WITT oil fine filter ÖF-G1/4"
- Level switch or Level switch with heating element ($t_0 < -30^\circ\text{C}$) **[no ATEX approval]**



5. TECHNICAL DATA

5.1 PRESSURE- / TEMPERATURE-RANGE

	max. permissible pressure P_s at t_0 100	max. permissible pressure P_s at t_0 75	Test pressure PT
BDP2 – 25 bar	-1,00 bar to 25,00 bar between -10°C and 75°C	-1,00 bar to 18,75 bar between -10°C and -60°C	41,00 bar
BDP2 – 40 bar	-1,00 bar to 40,00 bar between -10°C and 75°C	-1,00 bar to 30,00 bar between -10°C and -60°C	65,60 bar

5.2 WORKING FLUIDS/REFRIGERANTS

The BDP2 can be operated with all common refrigerants such as CO₂, NH₃, R134a, R404, R407c, R507, etc., and with common refrigerant oils such as Fuchs Reniso KC68 or S68, Shell G68 Clavus, Reflo 68 Petro Canada, Arctic SHC 226 Exxon.

For the hydrocarbon refrigerants **[KW]** propane (R290), propylene / propene (R1270), butane (R600) and isobutane (R600a) as well as their usual refrigerant oils, there is a BDP2 in specific embodiments.

When using non-soluble oils (particularly at below -30°C) the viscosity should ensure flowability at any time (see 6.1.1).

5.3 MATERIALS

Housing	1.4307
Inner parts	1.0718
Check valve	1.4305
Weld connections	1.4541
Gaskets	Centellen
O-Rings	Neoprene
O-Rings	FKM-LT170 for hydrocarbon refrigerants [KW]
Screw connections	A2-70



Instruction manual BDP2

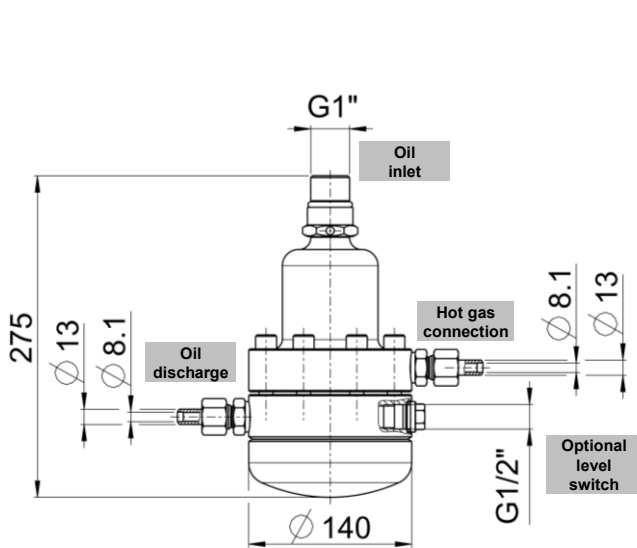
Revision: 09/2014

W 3552-6.02e.E

Page 3 / 16

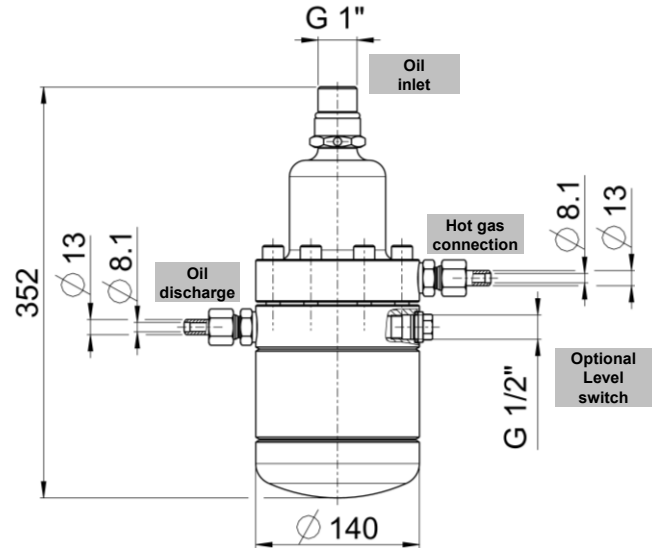
MWi

5.4 DIMENSIONS AND CONNECTIONS BDP2



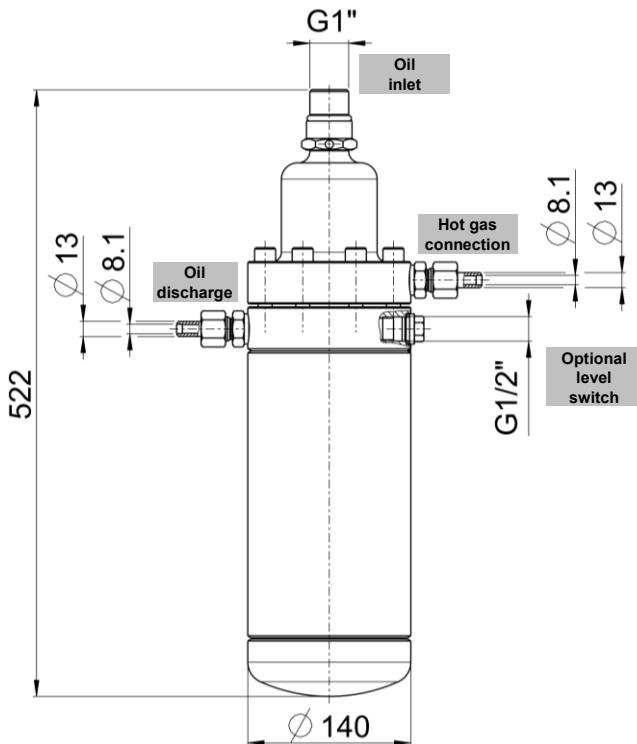
BDP2-03

25 bar Part no. 3552.002001
 40 bar Part no. 3552.003001
 25 bar KW Art.-Nr. 3552.002101



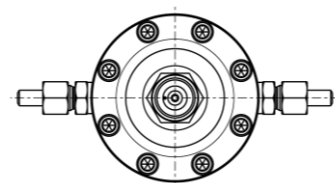
BDP2-14

25 bar Part no. 3552.002002
 40 bar Part no. 3552.003002
 25 bar KW Art.-Nr. 3552.002102



BDP2-38

25 bar Part no. 3552.002003
 40 bar Part no. 3552.003003
 25 bar KW Art.-Nr. 3552.002103



Required diameter
for installation D>206

BDP2-03 to BDP2-38

25 bar
 40 bar



Instruction manual BDP2

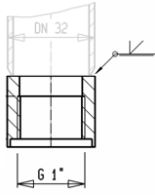
Revision: 09/2014

W 3552-6.02e.E

Page 4 / 16

MWi

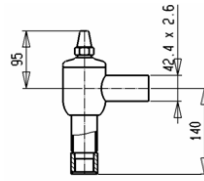
5.5 OPTIONAL EQUIPMENT



Threaded connection G1"
(for installation to a
different brand valve)

25 bar Part no. 6435.AJ0F00

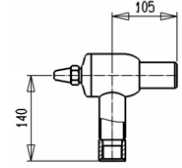
40 bar Part no. 6435.AJ0F00



EA32/G1"-I
(Including threaded
connection G1")

Part no. 4111.AA7DJA

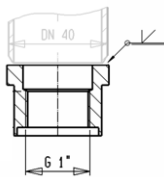
Part no. 4111.AA7DJB



EA32/G1"-II
(Including threaded
connection G1")

Part no. 4111.AA7DKA

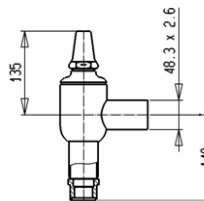
Part no. 4111.AA7DKB



Threaded connection G1"-SS
(for installation to a
different brand valve)

25 bar Part no. 6435.AF0F01

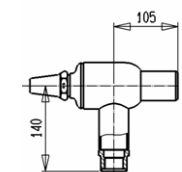
40 bar Part no. 6435.AF0F01



EA40-SS/G1"-I
(Including threaded
connection G1")

Part no. 4111.AA8MJA

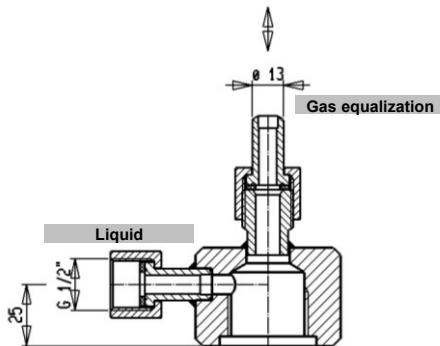
Part no. 4111.AA8MJD



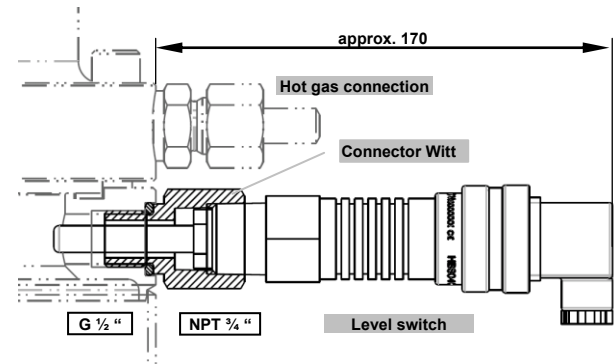
EA40-SS/G1"-II
(Including threaded
connection G1")

Part no. 4111.AA8MKA

Part no. 4111.AA8MKD

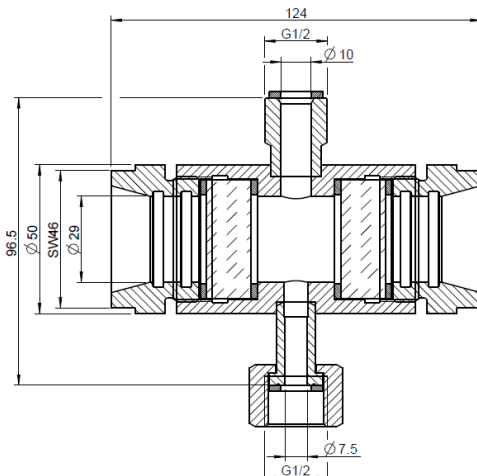


Adapter with gas-equalization line
Part no. 3552.000009 **25 bar & 40 bar**



Level switch (incl. adapter & O-Ring)
Part no. 3552.005010 **25 bar & 40 bar**

Level switch with heating element (t₀ < -30°C)
(incl. adapter & O-Ring)
Part no. 3552.005011 **25 bar & 40 bar**



Flow Sight Glass
Part no. 4551.AH3100 **25 bar & 40 bar**

5.6 SPARE PARTS

Set of gaskets
 Part no.: 3552.006001
 Set of gaskets **KW**
 Part no.: 3552.006002

O-ring – Neopren
 28x5 – 70SH
KW: O-ring – LT170
 28x5 – 70 SH

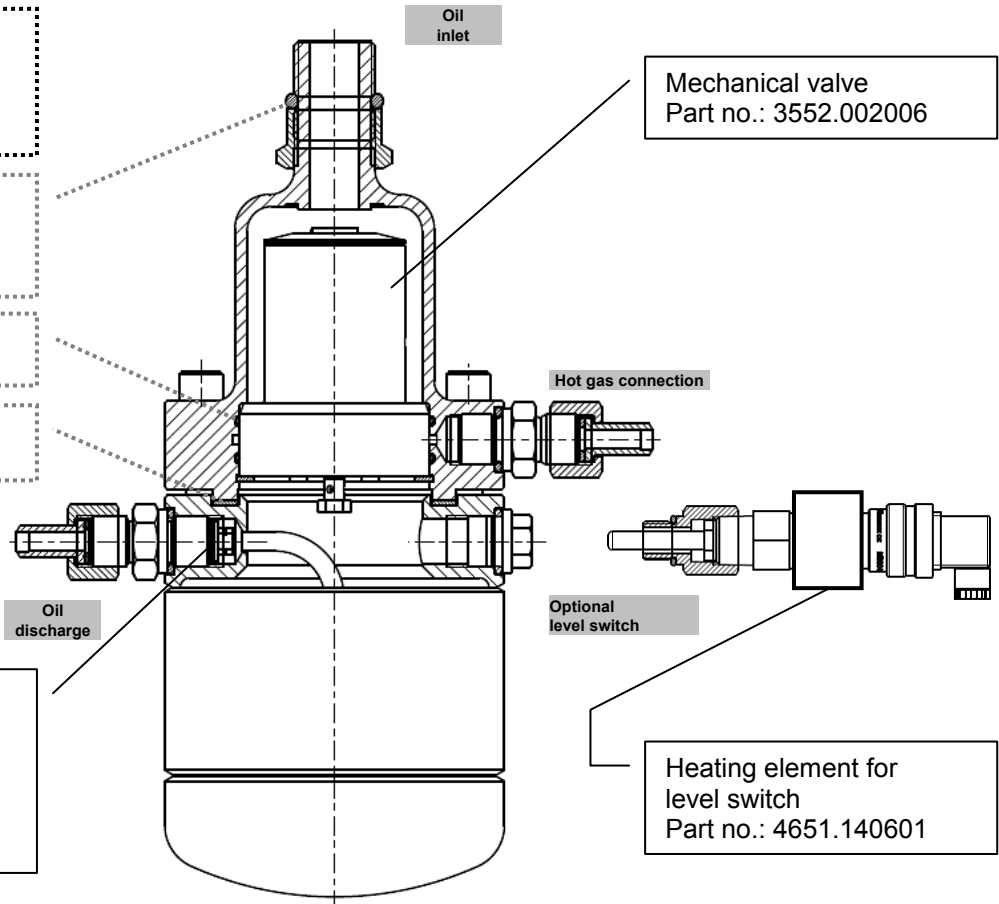
O-ring – Neopren
 75,87x2,62 – 70SH

Gasket
 80/100x2 Centellen

Check valve 3 bar
 Part no.: 3552.000042

Alternative
 Check valve 1 bar
 Part no.: 3552.000043

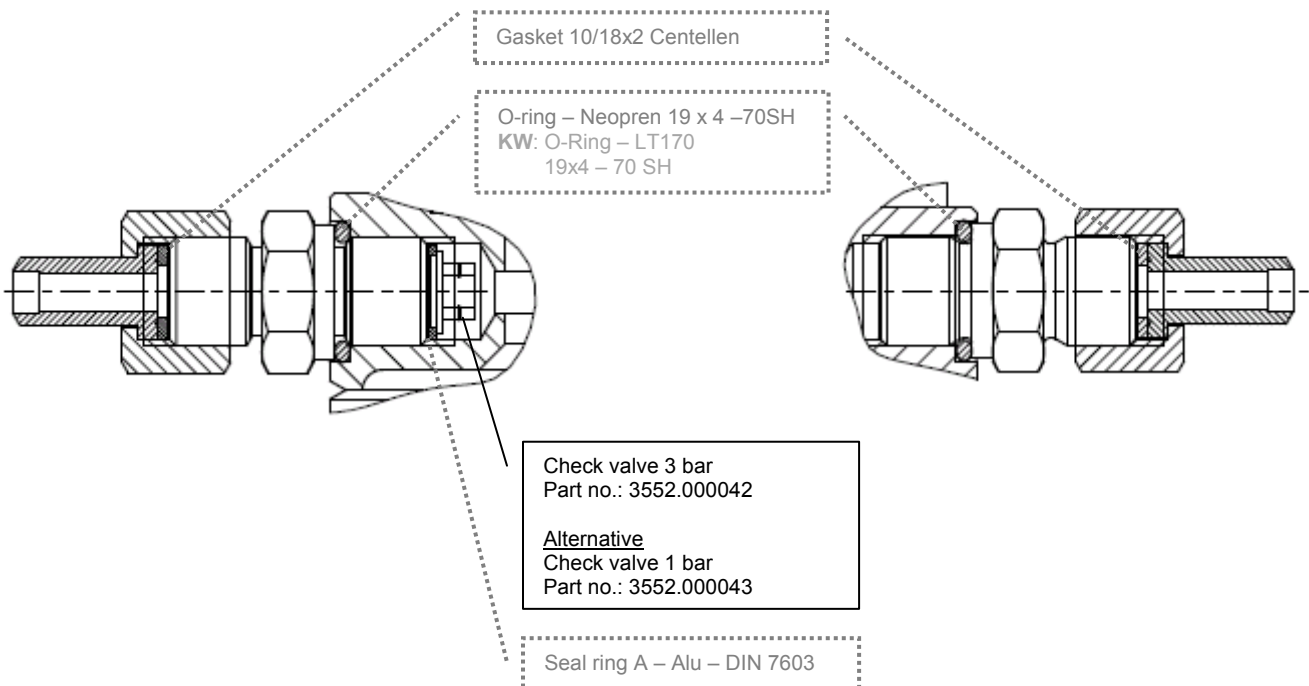
Mechanical valve
 Part no.: 3552.002006



Heating element for level switch
 Part no.: 4651.140601

Check valve

Hot gas connection



Gasket 10/18x2 Centellen

O-ring – Neopren 19 x 4 –70SH
KW: O-Ring – LT170
 19x4 – 70 SH

Check valve 3 bar
 Part no.: 3552.000042

Alternative
 Check valve 1 bar
 Part no.: 3552.000043

Seal ring A – Alu – DIN 7603



Instruction manual BDP2

Revision: 09/2014

W 3552-6.02e.E

Page 6 / 16

MWi

6. DESCRIPTION OF OPERATION

6.1 FUNCTION

The BDP2 collects settled oil or oil-rich refrigerant and returns the oil after complete evaporation of remaining liquid refrigerant in a heat exchanger back to the compressor.

6.1.1 NON-SOLUBLE OILS / AMMONIA SYSTEMS

When using ammonia, the (conventional mineral) oil is collected at the lowest point of the evaporator or surge drum, where the supply connection for the BDP2 should be made.



It is recommended to connect the BDP2 inlet for use in ammonia systems to the side of an oil-collecting dome. A manual oil draining connection (with stop and quick acting valve) should be installed as well to remove any contaminated oil during the first weeks after commissioning.

Evaporation temperatures below -30°C

From experience with ammonia systems, it is common knowledge that conventional compressor oils work well above an evaporating temperature of -30°C. At lower temperatures the oil may become too viscous, which will increase the time to fill and push out the contents. In such cases, a self-regulating heat trace cable wound around the supply line and the BDP2 housing is recommended.

TH. WITT cannot accept any liability at lower ammonia temperatures or if there is any doubt about the viscosity of the oil. In such cases, a right to return the BDP2 can be agreed with the manufacturer.

6.1.2 SOLUBLE OILS / SYSTEMS USING SYNTHETIC REFRIGERANTS

It is also possible to return oil that is carried over from the compressor with the BDP2 when using soluble refrigerant oils.



In systems, using synthetic refrigerants the supply line to the BDP2 should be connected to an oil-rich phase – preferably in the evaporator return line. The amount of oil that is returned after evaporation of the remaining liquid refrigerant should be equivalent to the amount that is carried over from the compressor (passing the oil separator). In common systems operated with synthetic refrigerants, the amount of oil dissolved in the refrigerant is approximately 3% (miscibility gap should be considered).

6.2 REFRIGERANT/OIL MIXTURE SUPPLY

Oil, respective refrigerant/oil mixture must enter the BDP2 freely from the low pressure side of the refrigerant system and any entrained gas should be able to raise back to the top. Therefore a connection DN 32 resp. DN 40 with matching G1" thread should be used. With respect to service work of the BDP2 a stop valve (e.g. WITT-EA32/G1"-I or II) is recommended.

The required time to fill the BDP2 with refrigerant/oil mixture for systems using synthetic refrigerants is a few minutes (approximately 4 – 5 min.) and at least 30 minutes for ammonia systems, depending on the viscosity of the used oil.

For installation to a smaller existing connection, an adapter with gas equalization line should be used. This is available as an optional extra. Due to the smaller connection the filling time is increased because the viscosity of the oil gets a larger influence.

6.3 PRESSURE BUILD UP

In order to push out the refrigerant/oil mixture, it takes approximately 1 to 10 minutes of refrigerant hot gas supply with a differential pressure of minimum 4 bar (respective 2 bar with replaced check valve) into the BDP2.

Pushing out refrigerant/oil mixture can be observed and optimized using an installed side glass. The side glass should be mounted in the return line between the BDP2 outlet and the DWR.

If you do not have hot gas with a differential pressure of at least 4 bar available, you should replace the standard check valve. This check valve will open with a differential pressure of 1 bar. It needs to be ordered separately and will be additionally delivered loose. This check valve is marked with a "1" next to the inlet connection.



Instruction manual BDP2

Revision: 09/2014

W 3552-6.02e.E

Page 7 / 16

MWi

6.4 HOT GAS LINE

Preferably, the hot gas supply should be taken between oil separator and condenser (see “system schematic”, 6.10, tapping point **A**). Alternatively, a WITT high side float is suitable because warm gas is collected with sufficient pressure at the top regulating valve (see “system schematic”, 6.10, tapping point **B**).

In both cases, the control line that is fed from a solenoid valve should be installed near to the BDP2, because

- a) larger quantities of condensate may collect in front of the solenoid valve, but only refrigerant vapor is allowed for the cycle.
- b) The small volume of the control line between solenoid valve and BDP2 reduces the time for the return of the internal piston (mechanical valve) to the initial position upon completion of a successful operation of one cycle.



The internal damping of the BDP2 allows use of hot gas at high pressures.

6.5 DISCHARGE OF REFRIGERANT/OIL MIXTURE

Due to the hot gas supply, an internal piston closes the connection to the low-pressure side of the refrigeration system and pressure is build up within the BDP2 housing. Any liquid within the BDP2 is pushed outwards through a check valve towards the compressor side.

6.6 HEAT EXCHANGER AT THE BDP2 OUTLET

We strongly recommend to pass the pushed out refrigerant/oil mixture through a heat exchanger to ensure that all liquid refrigerant has been evaporated before returned to the compressor. The heating capacity should be adequately selected such that any liquid refrigerant is completely evaporated. Sufficient time for evaporating should also be considered, when an optional level sensor is used to control the cycle.

WITT flow through evaporator DWR or small oil collectors, heated electrically or with hot gas, are proven for this purpose (see “system schematic”, 6.10, **DWR**).

6.7 OIL RETURN TO THE COMPRESSOR

The oil return should be located within or before the compressor, where the pressure is slightly lower than the pressure within the BDP2 housing.

The engineer in charge of the design should select an appropriate location for the oil return – depending on the type and make of compressor. The following locations have been proven good practice:

- Screw compressors: in the suction line right in front of the suction stop valve (see “system schematic”, 6.10, Position **Y**)
- Piston compressors: in the return line between oil separator and crank case (see “system schematic”, 6.10, Position **X**)

When using evaporation pressure regulators it is important that the pressure does not get too low. When the pressure difference to open the check valve (3 bar respective 1 bar) is reached, it is possible to continuously suck liquid refrigerant from the surge drum through the BDP2.

If a fine filter (e.g. WITT oil-filter ÖF) is required in the oil return line depends on the execution/cleanliness of the entire system. This should be evaluated by the design engineer.

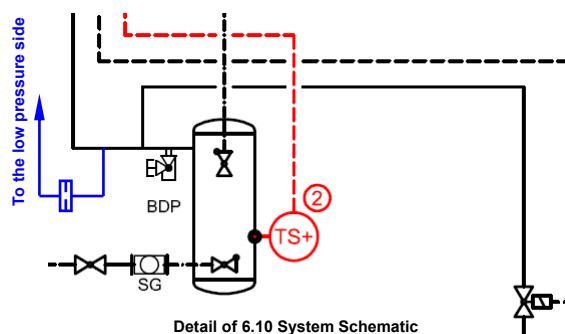
We recommend to install a sight glass after the heat exchanger. This will enable the proper observation of the oil return.

6.8 REPEATING THE CYCLE

Upon completion of the cycle, the internal piston (mechanical valve) will re-open the connection to the low-pressure side. To enable the immediate opening, the BDP2 is internally connected via a small orifice with the low-pressure side.

6.8.1 CLOSING THE ORIFICE (SPECIAL CASE)

While refrigerant/oil mixture is pushed out (for 1 to 10 min.) a small amount of hot gas will escape through this small orifice. If this amount is considered harmful (e.g. when installing the BDP2 underneath a stand pipe with level switch) the orifice should be closed (with a cylinder stud $\varnothing 2$ mm). The pressure equalization between BDP2 and the pressure vessel has to be done by an external equalization line after the solenoid valve (see 6.4) to the low pressure side (gas area) using an orifice of $\varnothing 1,2$ mm.



Connecting the BDP2 at the side avoids turbulences and carry over of dirt through the small internal orifice.

6.9 CONTROLLING THE CYCLE

The hot gas solenoid valve should be opened within an adjustable frequency of 1 to 10 min, depending on the viscosity of the fluid.

When oil soluble refrigerants are used, a BDP2 with larger content and more frequent cycles will be required.

In systems with synthetic refrigerants the control cycle has to be adjusted depending on the operation time and may need up to 10 cycles per hour depending on the oil carry over of the compressor.

When operating an ammonia system a small BDP2 is normally suitable with 1 to 6 cycles per day.

If the refrigeration / heat pump system is operated with only one compressor, or multiple compressors with one oil compensation line, the simplest method is to use a time control. (see "system schematic", 6.10, control 1).

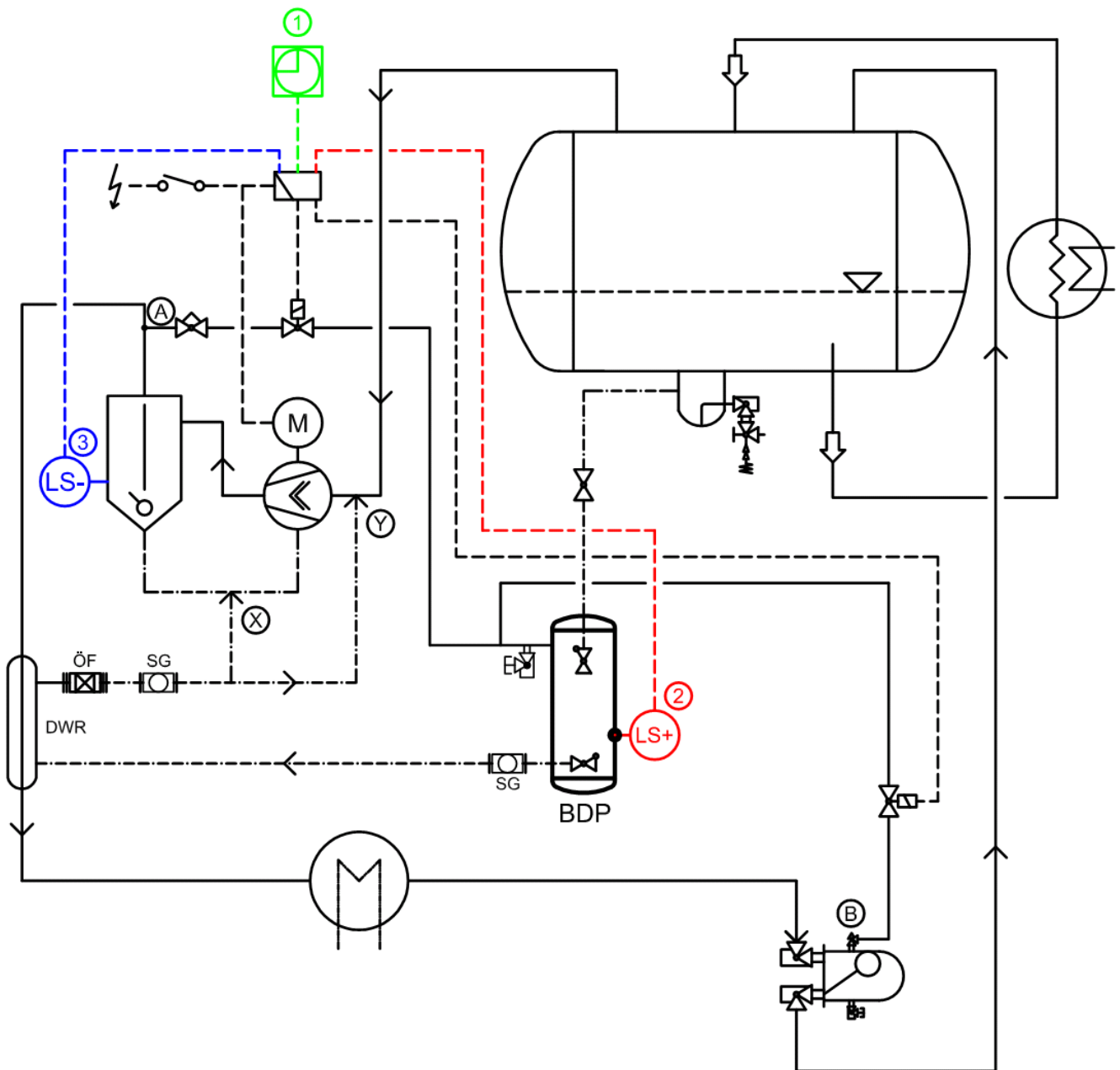
Alternatively, the control of the cycle can be done using a level switch (see "system schematic", 6.10, control 2).

When using multiple compressors with individual oil circuit (without oil equalization line), it is required to use a demand control activated by the level control of the oil reservoir of the compressor. (see „system schematic“, 6.10, control 3). To achieve that the demanding compressor is supplied with sufficient oil it is necessary to install a solenoid valve in each return line. It is important that only one compressor is supplied with oil at a time. Make sure no liquid can get trapped between the closed solenoid valve and the check valve behind the BDP2.



The control system needs to consider the time needed to fill again the BDP2. Therefore the safety low level is not suitable for the demand control. It may be necessary to add a further level switch in the oil separator.

6.10 SYSTEM SCHEMATIC



Explanations:

Possible Control 1	= clock timer
Possible Control 2	= level switch
Possible Control 3	= level control

Tapping Point A = Hot gas supply through regulating valve EE3 or EE6 and Hot gas solenoid valve DN3 at oil separator

Tapping Point B = Hot gas supply through regulating valve EE3 or EE6 and Hot gas solenoid valve DN3 at WITT high side float regulator HR or HS

DWR = heat exchanger WITT DWR, if required with oil filter

X = return position piston compressor

Y = return position screw compressor



Instruction manual BDP2

Revision: 09/2014

W 3552-6.02e.E

Page 10 / 16

MWi

7. SHIPPING AND STORAGE

All openings (connections, etc.) are covered with yellow protection caps to prevent the intake of moisture or dirt. Storage shall be dry and protected from any dirt or debris.

During transportation, the BDP2 should be protected in an adequate way to prevent damage.

8. INSTALLATION

Before installation the BDP2 should be visually inspected for any shipping damage.

Allow sufficient space for inspection and servicing. Provide at least 20 cm underneath the BDP2 for easy removal. Furthermore, a diameter of at least 20,6 cm space should be considered in order to be able to rotate the BDP2 in the G1" connection for removal.

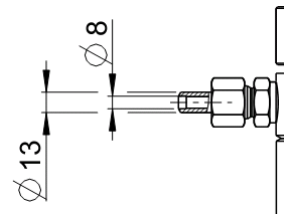
For installation of the BDP2 it is required that a G1" threaded connection with the opening facing down is available. With regard to servicing larger refrigeration systems it is recommended to use a stop valve (WITT EA32/G1"-I or II) in conjunction with the G1" threaded connection mentioned above.

If required the positions of the hot gas and oil return line connections of the BDP2 can be modified. Therefore, the 12 cylinder screws need to be taken out such that the head can be turned according to the hole pattern. Upon positioning of the connections, the head and body of the BDP2 need to be re-assembled. Make sure the cylinder screws are tightened again **with a torque of 56 Nm**.

Before installation, the G1" threaded ring of the BDP2 should be turned all the way down. The threaded ring together with the O-ring acts as a stuffing box screw connection. When the BDP2 is entirely screwed into the existing G1" connection, the BDP2 should be positioned and sealed with the threaded ring/O-ring. Therefore the threaded ring has a cross hole for utilizing of a 6 mm Allen wrench.

To continue with the piping the hot gas and oil return line connections of the BDP2 are equipped with welding sockets (see dimensions on the right side)

When long oil return lines are required, or when low differential pressures are present, a larger diameter is necessary depending on the pressure loss. Based experience it is not recommended to use an inner diameter of at least 9mm (e.g. **seamless pipe $\varnothing 13,5 \times 2.3$**). It is possible to use larger diameters when reducers are installed. The selection should be made by the project engineer at the planning state taking pressure loss, differential pressures, viscosity and temperatures into account.



Make sure the installation is stress-free when welding to the connections.

8.1. BDP2 CONNECTION

The weight of the BDP2 and vibrations in refrigerant system may cause damages to the weld connection of the BDP2. For example, this may occur if the lever arm is too long.



Therefore, the BDP2 should be supported by additional appropriate structures (e.g., bracing, cold clamp with connection to the frame or similar measures).



Instruction manual BDP2

Revision: 09/2014

W 3552-6.02e.E

Page 11 / 16

MWi

9 PRIOR TO COMMISSIONING

Commissioning and start up of the BDP2 is not permitted until a safety analysis of the entire refrigeration installation has been carried out.

On completing installation of the BDP2, the refrigerant plant must be pressure tested. Records of the testing must be kept in a safe place. The BDP2 system should be vented and connected to the main plant.

9.1 CHARGING THE SYSTEM



Charging refrigerant oil will make it possible to observe whether the oil return is working properly and the compressor will not shut down due to lack of oil.

9.1.1 AMMONIA SYSTEM

In ammonia systems the BDP2 and the heat exchanger should be filled with compressor oil.

9.1.2 SYNTHETIC REFRIGERANT SYSTEM

It is recommended to charge systems operating with synthetic refrigerants with approx. 3% refrigerant oil in the low-pressure side (attention with the miscibility gap).

10. COMMISSIONING

The refrigerant / heat pump system should be started-up without the BDP2, to make sure any dirt is flushed out of the system. It is recommended to wait until the oil of the compressor has been changed for the first time to make sure most of the dirt is removed.

Check that

- the max. allowable pressure is not exceeded (see data plate)
- the pressure in the BDP2 housing cannot increase more than 3 bar above the lowest possible pressure in the compressor suction line (particularly during stand-still, with two-stage systems and with open economizers)
- all pipes are connected correctly according to the technical drawings.

11. OPERATION

During operation the free supply of oil respectively refrigerant/oil mixture into the BDP2 must be provided, as mentioned in sections 6.1 and 6.2.

Formation of condensate or frost indicates the liquid refrigerant/oil level within the BDP2. Since the BDP2 is manufactured using stainless steel, there is no danger of corrosion. In some cases it can be favourable to install a drip pan under the BDP2.

The hot gas solenoid valve should be activated over a period of 1 to 10 minutes– depending on the size of the BDP2 and the system concept (time or demand control) – to push the liquid content out of the BDP2. The timer can be adjusted by observing the outlet temperature and system conditions.

12. MAINTENANCE AND INSPECTION

The BDP2 should be visually inspected according to EN 378-2 on a regular basis.



Any work with refrigeration systems must be carried out by trained and knowledgeable personnel. All safety regulations and codes of practice concerning the use of refrigerants must be adhered to.



Prior to any maintenance work and loosening of any screws, make sure the housing has been vented correctly and all refrigerant is removed correctly.



When opening the BDP2 a sudden evaporation of trapped refrigerant may occur. Therefore, special attention must be paid to wearing of protection clothing and safety glasses. Never remove any screws when there is a possibility of refrigerant or pressure remaining in the system.

The BDP2 is designed to operate without the need of regular maintenance work.

In case of contamination, it is possible to disassemble the BDP2 for cleaning or replacement of parts. During re-assembly all gaskets should be replaced.

Besides the following recommended test, there is no further work required.

12.1 FUNCTION CONTROL

During operation, the proper functioning of the internal piston (mechanical valve) can be recognized when the piston moves down. Due to the internal damping, it is not easy to recognize when the piston is moving up.



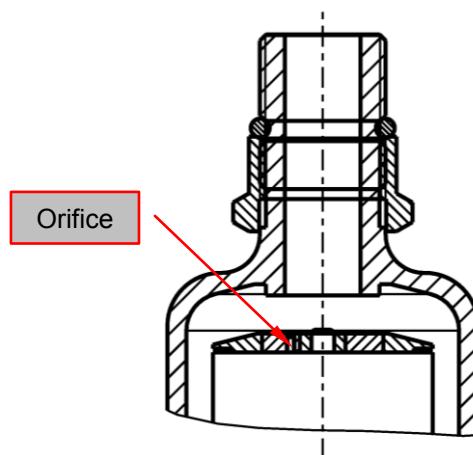
A side glass behind the BDP2 is recommended to be able to visually check whether the refrigerant/oil mixture is pushed out.

12.2 CHECK OF THE INTERNAL ORIFICE

To enable the immediate opening upon finishing the cycle, the internal piston is equipped with a small orifice (hole). It may be necessary to clean this hole when it has got contaminated.



The blocked hole of the piston can be recognized when the BDP2 remains warm at all times. (Normal operating conditions will result in alternation of frost and condensate). If the hole is blocked the internal piston will prevent proper supply to the BDP2.



12.3 EXCHANGE OF THE CHECK VALVE

In the discharge connection is a small check valve that can be removed, when a 1 bar pressure difference instead of 3 bar is required (see chapter 6.3). It is possible to exchange the check valve.

12.4 DISCHARGING AND DISASSEMBLY OF THE BDP2

1. Close the stop valve in front of the BDP2 (see system schematic 6.10) such that oil/ mixture cannot longer enter
2. Wait until 1 to 2 cycles of the BDP2 are completed, to make sure the housing is completely empty.
3. Warming up the housing of the BDP2 will evaporate any remaining liquid refrigerant.
4. Close the valve behind the BDP2
5. Carefully release the pressure of the BDP2

It is fairly easy to release the pressure inside the BDP2 by using a service valve right in front of the hot gas connection. Refrigerant gas can be drained into a bucket of water. This service valve is also suitable to evacuate the BDP2 upon re-assembly.



The BDP2 must be without any pressure before disassembly!

6. Taking out the BDP2 (see also 8. assembly)
 - a. Loose the connections of all pipes
 - b. Loose of the G1" threaded ring
 - c. Unscrew the BDP2 from the G1" coupling

12.5 CLEANING THE BDP2

To clean the BDP2 it is sufficient to take the valve head off by unscrewing the container. Then it is possible to remove any dirt by blowing out (with air) or rinsing the internals.

12.5.1 DISASSEMBLY OF THE VALVE MECHANISM

In case the valve mechanism should be pushed out, e.g., when cleaning the BDP2, it is important to first remove the circlip at the bottom (see picture).

Thereafter, the valve head of the BDP2 should be placed on an appropriately sized tube (or similar). To avoid any damages the internal valve mechanic should fall on a soft mat or cloth.

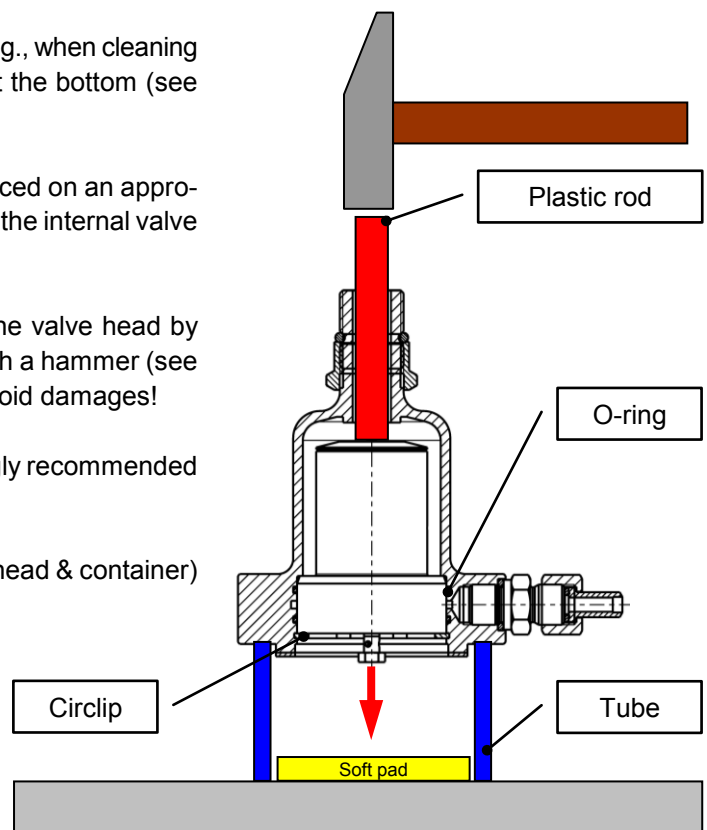
Then, the valve mechanism can be pushed out of the valve head by gently knocking on a plastic rod (or piece of wood) with a hammer (see picture). ATTENTION: Do not use metallic rods to avoid damages!

When reassembling the valve mechanism, it is strongly recommended to replace the two O-rings.

When internals have been cleaned, the BDP2 (valve head & container) can be reassembled.

It is important the cylinder screws are re-tightened with a **torque of 56 Nm**.

The tight installation should be checked upon successful re-assembly into the system (see also 9.).



12.5.2 DISASSEMBLY OF THE CHECK VALVE

When cleaning the BDP2 it is recommended to check and clean the check valve at the same time.

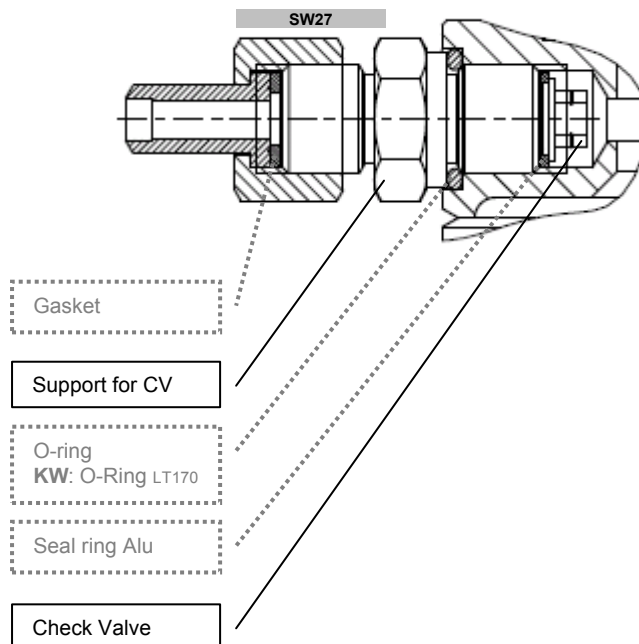
In order to have access it is necessary to screw out the entire insert. Afterwards, the check valve can be screwed out of the adapter.

Now it is possible to check and clean all parts.

When reassembling the check valve, all gaskets, the O-ring, and the aluminum gasket ring should be replaced.

Upon successful inspection and cleaning, the check valve can be re-assembled.

Check the system for tightness (see 12.5.1)



13. OPTIONAL LEVEL SWITCH [no ATEX approval]

13.1. SCOPE OF SUPPLY / DIMENSIONS

There are two options available:

- standard level switch for BDP2

and for operating temperatures below -30°C

- level switch for BDP2 with heating element

The scope of supply includes:

- level switch including connector plug
- Heating element (only option 2)
- Adapter
- O-Ring



13.2. DESCRIPTION OF OPERATION

The level switch is fitted to the highest possible position within the BDP2 housing. When the oil reaches this level a red LED will illuminate and the solenoid valve in the hot gas line opens. This will start pushing out the oil content.

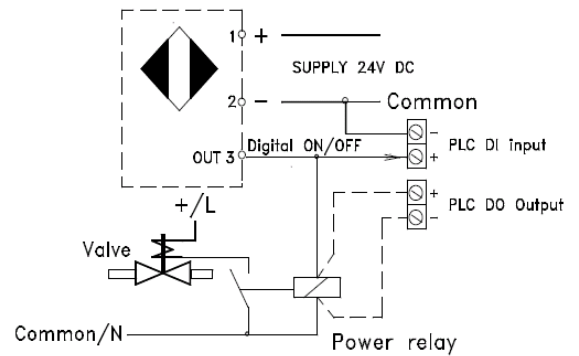
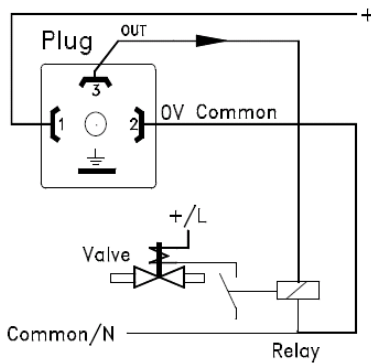
13.3. PLANNING

Technical Data

Power supply	24V DC \pm 10%
Output type	PNP
Output function	NO
Output current	max. 50 mA

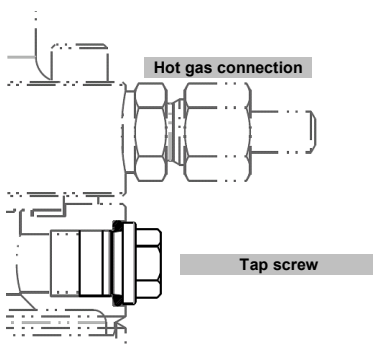
13.3.1. ELECTRICAL CONNECTION

The following wiring diagrams are recommendations by the manufacturer. The left wiring diagram shows the possible installation without SPS. The right wiring diagram can be used with SPS. In both cases, the solenoid valve in the hot gas line has to be controlled. In any case, the manufacturer's installation instructions shall prevail.

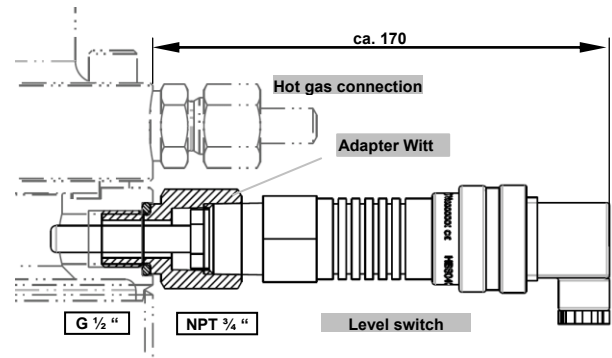


The copyright of the electrical schemes is with the manufacturer of the sensor.

13.4. INSTALLATION



Delivery condition BDP2



BDP2 with optional level switch

When installing the level switch the following needs to be considered

1. Remove the tap screw (make sure the housing is completely de-pressurized).
2. Wrap Teflon tape around the NPT-thread, because the thread is not self-sealing
3. Screw the level switch into the adapter
4. Fit the o-ring on to the adapter
5. Insert the level switch (with adapter and o-ring) in the intended tap hole of the BDP2.
6. Start-up the BDP2

13.5. START-UP

When starting up the BDP2 with level switch, it is necessary to check that the time to push out the content is sufficient (see also 6.9). The time required to push out the content is determined by the holding time of the level switch plus the follow-up time.

With high temperatures or at low viscosity of the refrigerant oil, the level switch is activated and drops down, which means the holding time is very short. Therefore, the follow-up time should be increased depending on the size of the BDP2.

At low temperatures, or higher viscosity of the refrigerant oil, the level switch is activated and keeps this status over a certain period of time before it drops down. Hence the follow-up time can be shorter.



Instruction manual BDP2

Revision: 09/2014

W 3552-6.02e.E

Page 16 / 16

MWi

It is not possible to state exact times for pushing out the refrigerant, because it is influenced by too many factors, e.g., the size of the BDP2, the refrigerant and the refrigerant oil, the actual viscosity and the temperature. The required time to push out the content can be determined by, e.g., observing the side glass at the BDP2 outlet and adjust the time accordingly.



The next cycle should not be started right after finishing to push out the content (see 6.6).

In addition, please adhere to the previously made recommendations in section 11. of this instructions.

13.6. HEATING ELEMENT

At evaporation temperatures below $t_0 < -30^\circ\text{C}$ an additional heating element is required. It should be installed according to the manufacturer's installation requirements.

14. TROUBLE SHOOTING

	Symptom	Possible cause/corrective action
14.1	BDP2 DOES NOT FILL WITH LIQUID	
	Valve in the supply line is closed	Open the valve
	Gas trapped in the supply line	Check valve position and slope of the supply line
	Lack of refrigerant	Check level in the surge drum, investigate cause for insufficient charge
	Internal piston stuck in upper position	Check solenoid valve in the hot gas line, eliminate contamination inside the BDP2
	Incoming liquid too viscous	Check installation of trace heater
	Orifice (hole in the internal piston) is blocked	Clean the orifice, see 12.2 and 12.4
14.2	CYCLE DOES NOT WORK	
	Not sufficient hot gas pressure	Open the regulating valve of the hot gas line (e.g. the top service valve on the high side float regulator)
	Solenoid valve in the hot gas line does not open	Check solenoid valve and its control
	Liquid in the hot gas line	See chapter 6.4
	BDP2 connections mistaken (wrong way round)	See chapter 8. , incorrect installation
	Liquid discharge at too high pressure	Check hot gas line, heat exchanger and filter for possible blockages
	BDP2 does not fill with liquid	See above 14.1
14.3	CONTINUOUS LIQUID DISCHARGE	
	Connection point for the oil return at too low pressure	See chapter 6.7
	Check valve is not working properly	see 12.3, or replace check valve
14.4	INTERNAL PISTON STUCK IN UPPER POSITION	
	Orifice of the valve mechanic blocked	See chapter 12.2
	Internal contamination prevents proper piston movement	Dis-assemble BDP2 and clean the internal parts
14.5	TOO MUCH OR NOT ENOUGH RETURNED OIL	
	Incorrect positioning of the supply connection	See chapter 6.1 & 6.2
	Number of cycles not correct	Check and adapt to requirements
	Oil concentration not adequate	Check and adapt to requirements
	There is no oil in the supply line	See chapter 6.1 & 6.2
	Control of the hot gas solenoid valve not correct	Check and adapt to requirements
14.6	OPTIONAL LEVEL SWITCH DOES NOT ACTIVATE	
	level switch is damaged	See instructions of the manufacturer
	Heating element is damaged	See instructions of the manufacturer