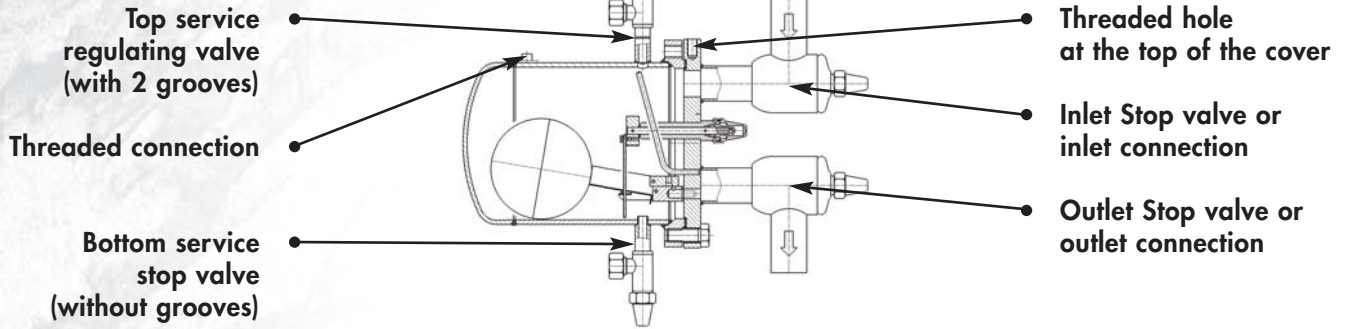




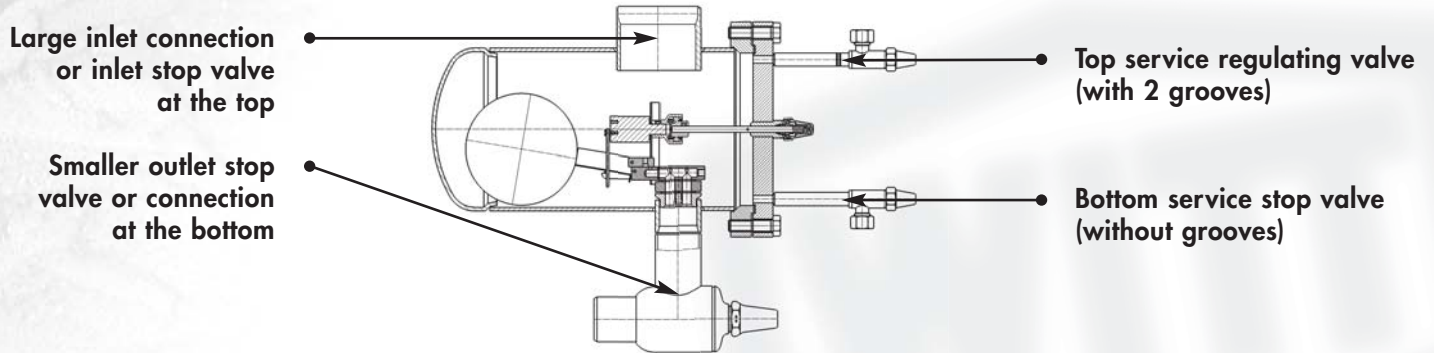
HR/HS Short instructions

Align the high side float regulator in a horizontal position, so the name plate can be read.

HR

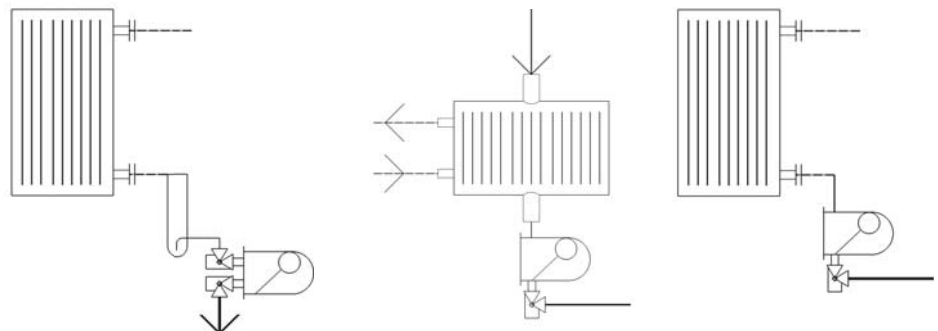


HS



Provide sufficient space so that the internal float ball can be exchanged and the valves are accessible.
 Make sure the installation is stress free when welding the float regulator to the pipework.

Connections > HR and HS with open low pressure nozzle supply line with siphon > HS with closed low pressure nozzle Supply line can be connected right to the top

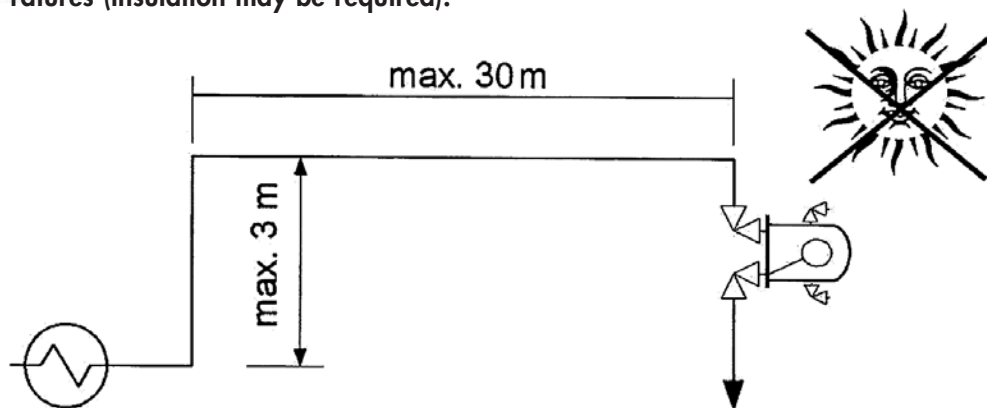


The short instructions does not replace the installation and operating instructions HR/HS!
 Always check the full instructions before installation and operation!

A max. horizontal distance of 30 m or a max. vertical distance of 3 m between regulator and condenser is possible.

Exemptions: The HR1BW must be installed underneath and WPHR above the condenser (see installation and operating instructions).

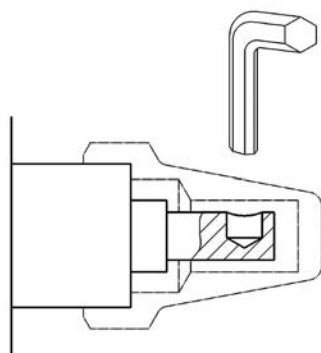
ATTENTION > The supply line to the high side float regulator should not be exposed to excessive pressure loss and high ambient temperatures (insulation may be required).



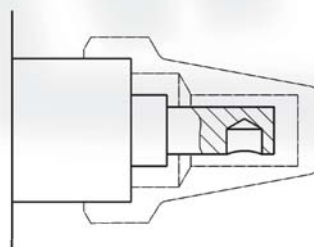
Pressure testing > When a pressure test with $p_t > 30$ bar should be executed, it is necessary to remove the float ball for the duration of the pressure test.

It is not required to include the high side float regulator in the pressure testing, because it has already undergone a pressure test in the WITT workshop.

Commissioning > The control unit (float ball) is blocked for transport and must be released in the automatic operating condition by turning the stem 180° (hole facing down).



Transport position
Float ball blocked/outlet fully open



automatic operating position
Float ball can move in automatic mode

It is important the system is thoroughly purged (either at the outlet of the condenser or at the top service regulating valve of the high side float regulator.)

ATTENTION > Purging of the system may require several hours or even longer and should be repeated several times during the first days of operation. Any non-condensables (e.g. air) in the system can block the internal float ball and will result in liquid back-up.