

WITH MORE THAN 50 YEARS OF EXPERIENCE IN COMPRESSOR TECHNOLOGY AND HIGHLY COMMITTED EMPLOYEES, OUR FOCUS IS TO DEVELOP AND APPLY THE

ADVANCED COMPRESSOR TECHNOLOGIES TO ACHIEVE STANDARD SETTING PERFORMANCE FOR LEADING PRODUCTS AND BUSINESSES AROUND THE WORLD.

X-SERIES COMPRESSORS

SECOP

R600a
XV-KX COMPRESSORS

OPENING A NEW CHAPTER IN REFRIGERATION HISTORY



100mm

MAXIMUM HEIGHT
5 - 20 L ADDITIONAL STORAGE
VOLUME FOR REFRIGERATORS

HIGH COP
EXTREMELY EFFICIENT
EVEN @ LOW SPEEDS



SECOV XV COMPRESSORS - THE FUTURE IS NOW

Secop's revolutionary X-Series compressor range is entirely new and relies on new compressor technology that Secop has developed in-house.

The completely new platform not only offers the highest system efficiency, but is also with its dimensions challenging the standards for compressor size in the future.

The innovative design from a production point of view is a pioneer which has all-welded parts that are assembled by the latest robotic automated systems, ensuring a trendsetting quality level.

Research and development is a high priority at Secop and we continue to deliver innovative, energy saving products to OEMs and end users alike.

XV features ...

- eXtremely small
- eXtremely light
- eXtremely efficient
- eXtremely flexible

... your benefits

- Additional storage volume for refrigerators
- Less weight, easier handling, lower transport costs
- Increased system efficiency
- Adaptable capacity for various applications

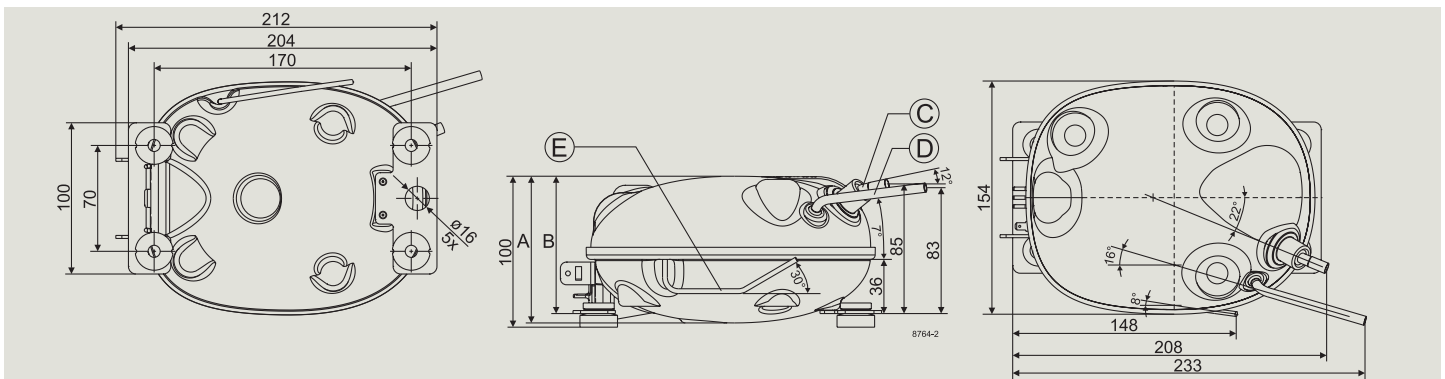
General	XV5.0KX	XV7.2KX	XV8.0KX
Code number (4.8 kg)	108H5012	108H7210	108H7710
Electronic unit (attached) - XV-AEO/Freq.	105N5022	105N5022	105N5022
Inputs: Thermostat, frequency signal, Modbus			
Electronic unit (detached) - XV-Frequency	105N5052	105N5052	105N5052
Input: Frequency signal			
Approvals	EN 60335-2-34 with Annex AA (VDE), GB 4706.17 (CCC/CQC)		

Application		LBP
Application		LBP
Evaporating temperature	°C	-35 to 0 [-5/-10]
Voltage range / frequency	V/Hz	160 - 264 / 50/60
Speed range	rpm	1000 - 4000

Performance data (ASHRAE • 220 V, 50/60 Hz • static cooling) @ -23.3 °C evaporating temperature													
Speed	rpm	1000	1500	2500	4000	1000	1500	2500	4000	1000	1500	2500	4000
Cooling capacity	W	22	35	60	93	39	79	115	145	44	70	110	165
Power consumption	W	13	20	34	56	22	43	66	86	24	37	60	96
COP	W/W	1.67	1.75	1.77	1.66	1.80	1.82	1.74	1.69	1.82	1.88	1.83	1.72

Performance data [EN 12900 Household/CECOMAF • 220 V, 50/60 Hz • static cooling] @ -25 °C evaporating temperature													
Speed	rpm	1000	1500	2500	4000	1000	1500	2500	4000	1000	1500	2500	4000
Cooling capacity	W	16	25	45	67	28	57	84	106	32	52	81	122
Power consumption	W	12	19	33	52	20	40	62	81	23	36	57	92
COP	W/W	1.29	1.35	1.37	1.28	1.39	1.41	1.35	1.31	1.40	1.46	1.42	1.33

Dimensions		
Height	mm	A 97 B 91
Suction connector	location/I.D. mm angle material seal	C 6.2 12° Cu-plated steel Rubber plug
Process connector	location/O.D. mm angle material seal	D 6.0 7° Copper Rubber plug
Discharge connector	location/O.D. mm angle material seal	E 3.2 30° Cu-plated steel Rubber plug
Connector tolerance	I.D. mm	0.1, on 6.0 ±0.1, on 3.2 ± 0.05



Secop GmbH · Mads-Clausen-Str. 7 · 24939 Flensburg · Germany · Tel: +49 461 4941 0 · www.secop.com

Secop can accept no responsibility for possible errors in catalogues, brochures and other printed material. Secop reserves the right to alter its products without notice. This also applies to products already on order provided that such alterations can be made without subsequential changes being necessary in specifications already agreed. All trademarks in this material are property of the respective companies. Secop and the Secop logotype are trademarks of Secop GmbH. All rights reserved